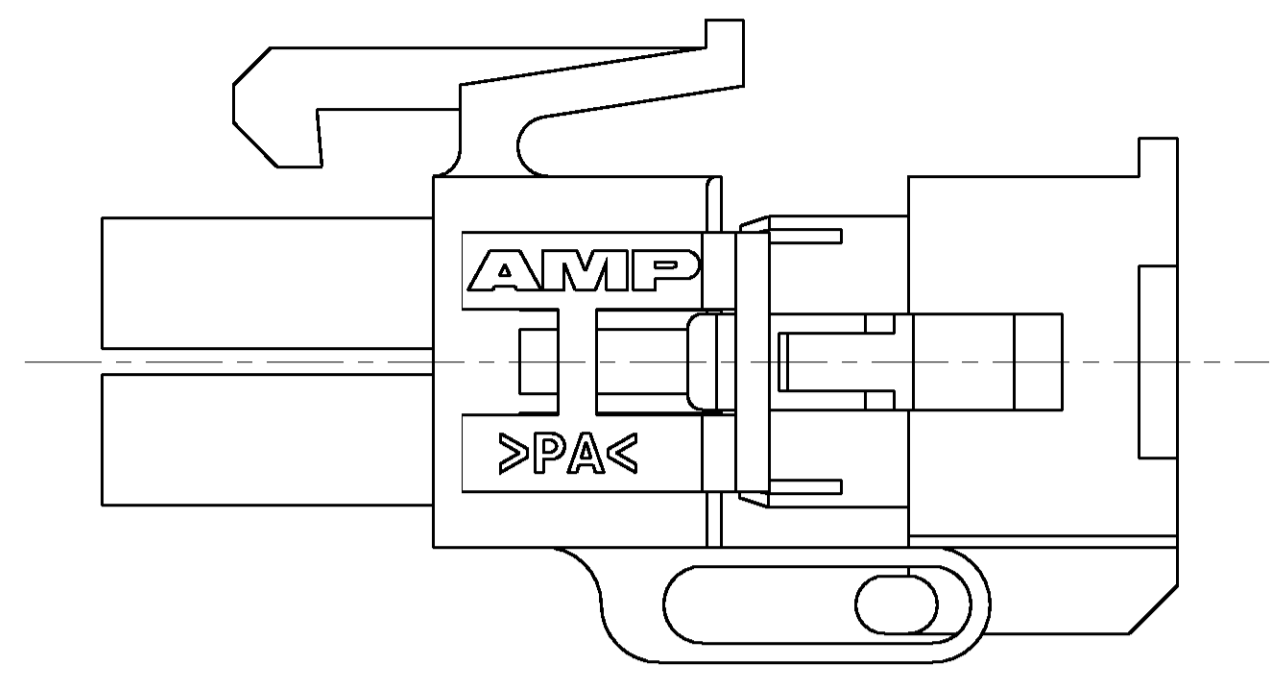
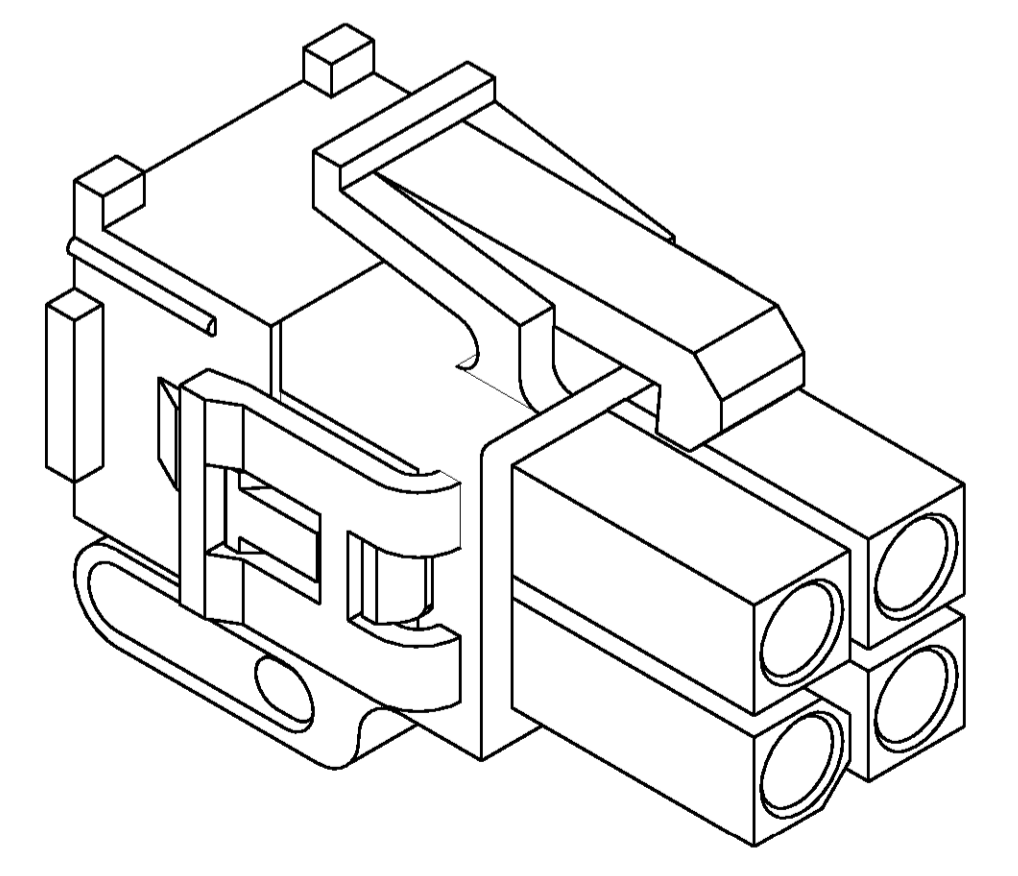
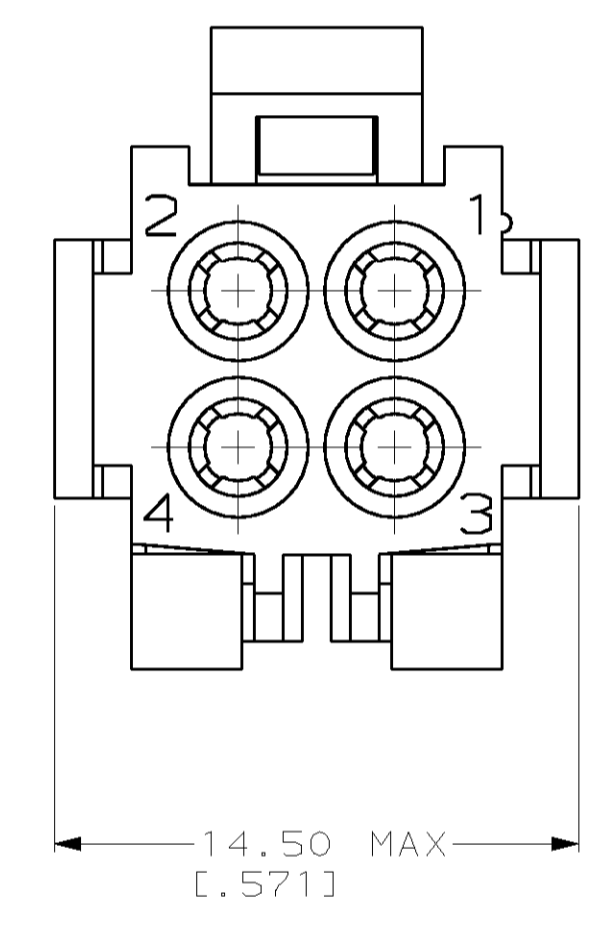
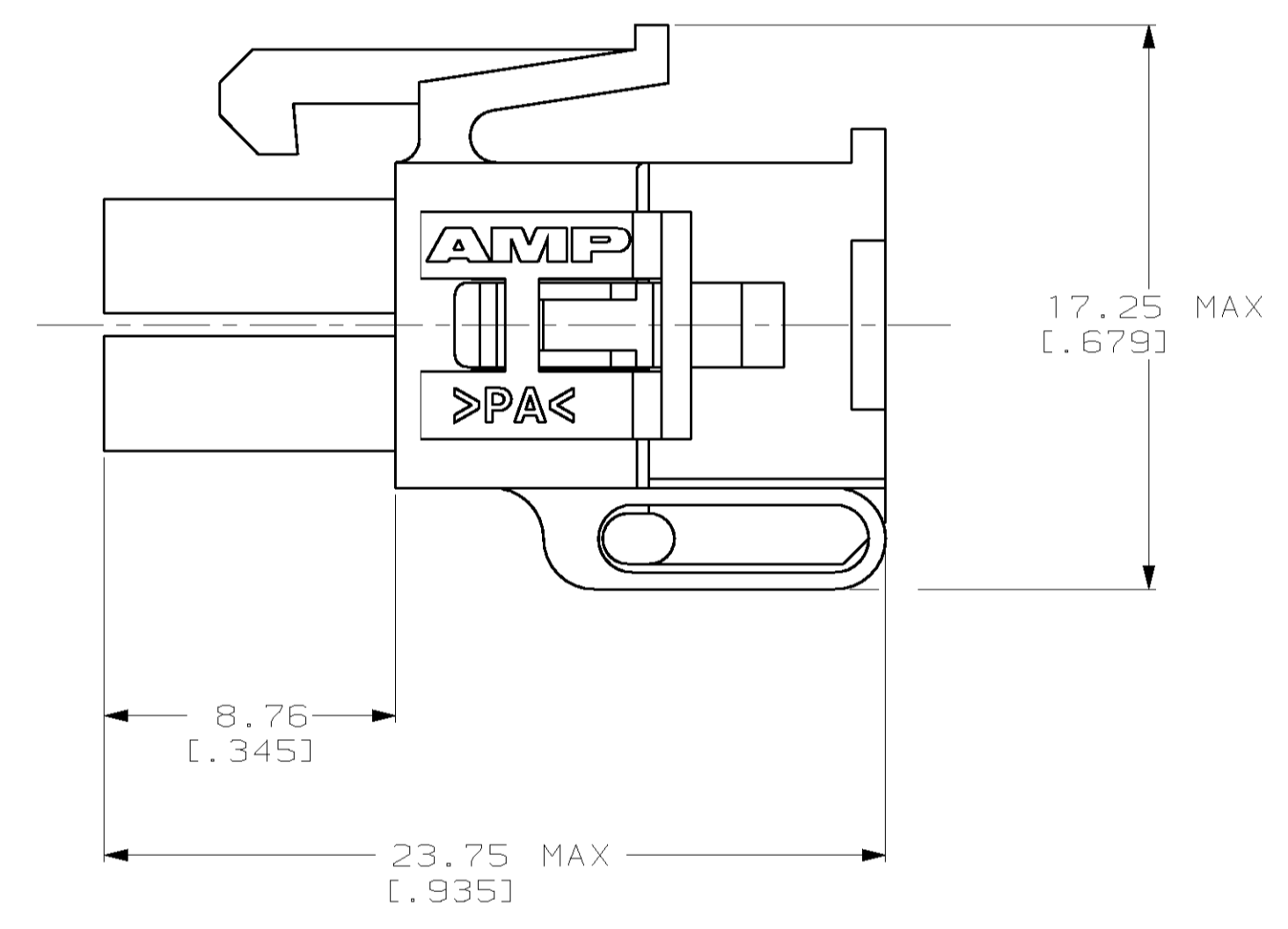
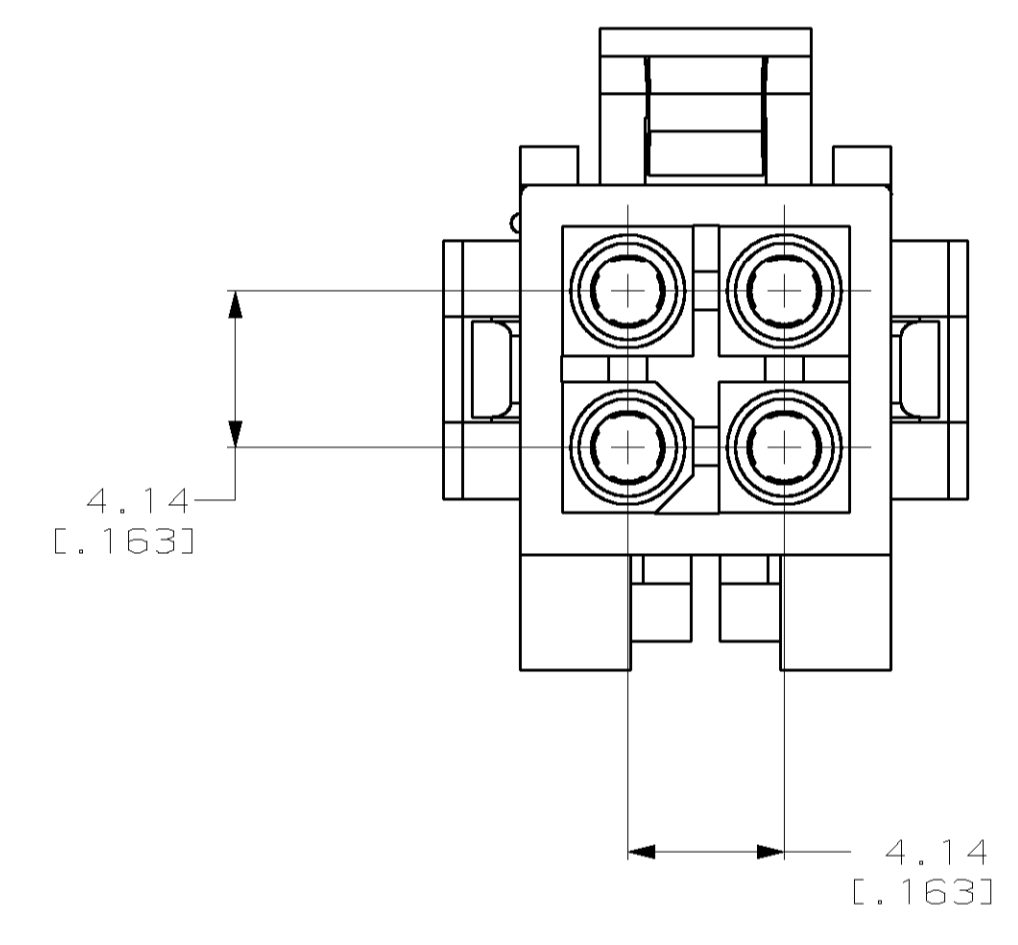


LOC		DIST		REVISIONS			
F	CHR	DATE	BY	CHK	APVD		
B		23-SEP-99	KW	KC			



PRE-STAGED CONDITION

1. DIMENSIONS IN BRACKETS ARE IN INCHES.



3-DIMENSIONAL MODEL
NTS

794188-1
PART NUMBER



THIS DRAWING IS A CONTROLLED DOCUMENT.		DWN K. WHITAKER	5-12-97	AMP AMP Incorporated Harrisburg, PA 17105-3608
		CHK R. SWING	5-12-97	
DIMENSIONS:		APVD S. ORSTAD	5-12-97	NAME PLUG, 4 CIRCUIT, MINI UNIVERSAL MATE-N-LOK™ 2
mm	TOLERANCES UNLESS OTHERWISE SPECIFIED:	PRODUCT SPEC		APPLICATION SPEC
	0 PLC ±			SIZE CAGE CODE DRAWING NO
	1 PLC ±			A1 00779 C-794188
	2 PLC ±0.13 [0.005]			RESTRICTED TO
	3 PLC ±			WEIGHT
	4 PLC ±			CUSTOMER DRAWING
	ANGLES			SCALE 5:1 SHEET 1 OF 1 REV B